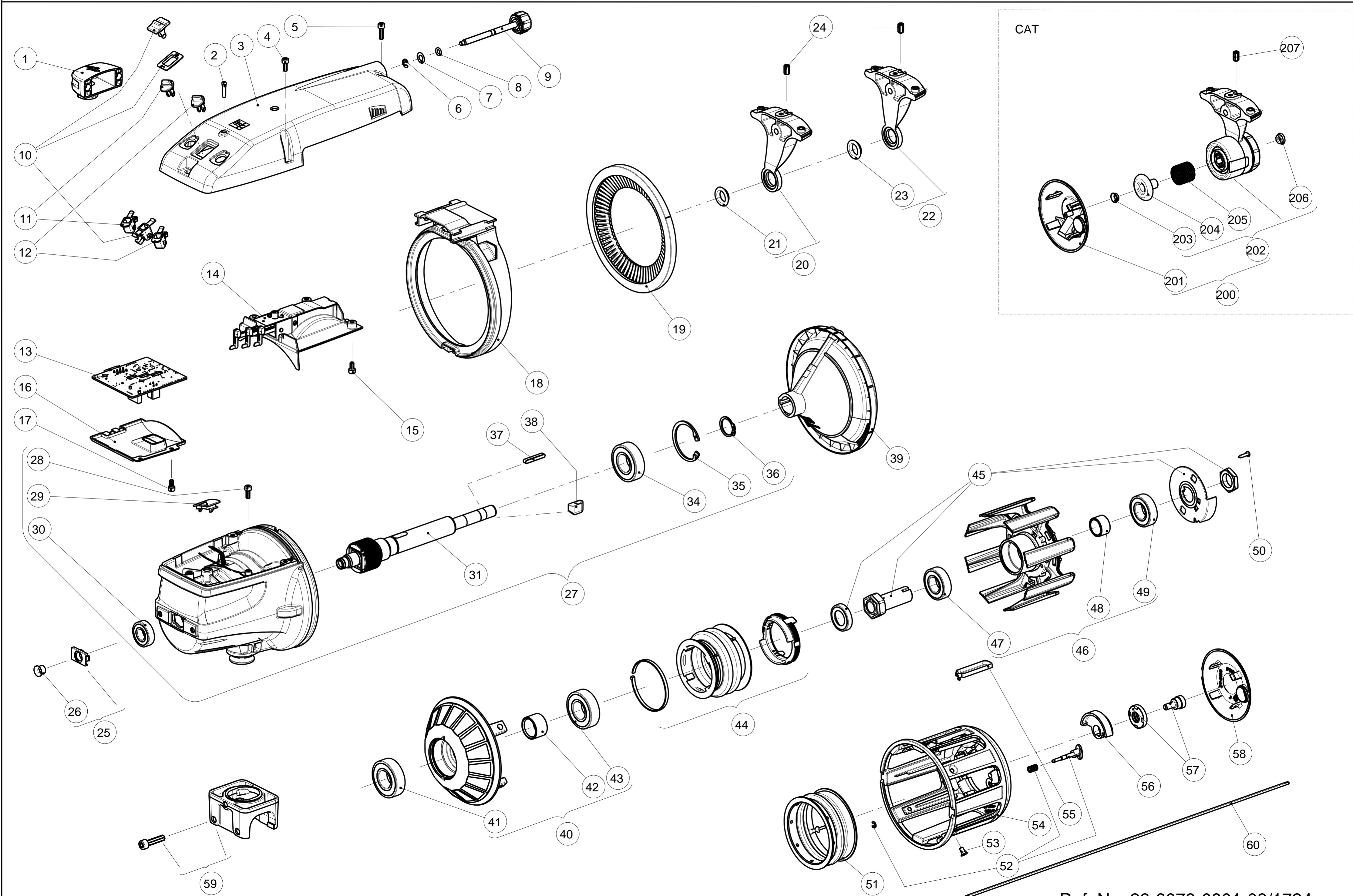


Star G2 190 - Exploded view





POS	PART NO	DESCRIPTION	REMARKS
1	28.0032.1750	CABLE COMPL.	For Galaxy control box 20-pin connector
1	28.0032.5000	CABLE COMPL.	For Galaxy control box 20-pin connector cable length 5 m
1	05R01078	CABLE COMPL.	For Laser control box 12-pin connector
1	05R01078.5100	CABLE COMPL.	For Laser control box 12-pin connector cable length 5 m
2	28.0041	LIGHT GUIDE	
3	28.0026.003E	TOP COVER COMPL.	Without motor circuit board and sensor
4	900.0075	SCREW	
5	900.0097	SCREW	
6	900.9058	CIRCLIP	
7	900.2170	WASHER	
8	23A00030	O-RING	
9	43A01638	KNOB	
10	28.0086	ON/OFF SWITCH ASSEMBLY KIT	
11	28.0088	S/Z SWITCH ASSEMBLY KIT	
12	28.0087	SPEED SWITCH ASSEMBLY KIT	
13	28.9005.0001	MOTOR CIRCUIT BOARD	
14	28.0054.001	SENSOR COMPL.	
15	900.0117	SCREW	
16	28.0038	PROTECTION COVER	
17	900.0117	SCREW	
18	28.0061	BRUSH HOLDER	
19	820.0360.001	BRUSH SOFT, natural, straight.	
19	820.0009.001	BRUSH SOFT, natural, z-rotation.	
19	820.0155.001	BRUSH SOFT, natural, s-rotation.	
19	820.0360.002	BRUSH MEDIUM, natural, straight.	
19	820.0009.002	BRUSH MEDIUM, natural, z-rotation.	
19	820.0155.002	BRUSH MEDIUM, natural, s-rotation.	
19	820.0360.003	BRUSH STIFF, natural, straight.	
19	820.0009.003	BRUSH STIFF, natural, z-rotation.	
19	820.0155.003	BRUSH STIFF, natural, s-rotation.	
19	820.0360.013	BRUSH SOFT, synthetic, straight.	
19	820.0009.013	BRUSH SOFT, synthetic, z-rotation.	
19	820.0155.013	BRUSH SOFT, synthetic, s-rotation.	
19	820.0360.009	BRUSH MEDIUM, synthetic, straight.	
19	820.0009.009	BRUSH MEDIUM, synthetic, z-rotation.	
19	820.0155.009	BRUSH MEDIUM, synthetic, s-rotation.	
19	820.0360.004	BRUSH STIFF, synthetic, straight.	
19	820.0009.004	BRUSH STIFF, synthetic, z-rotation.	
19	820.0155.004	BRUSH STIFF, synthetic, s-rotation.	
19	820.0360.006	BRUSH SOFT, natural, straight.	Special version less amount brush bundles (44)
19	820.0009.006	BRUSH SOFT, natural, z-rotation.	Special version less amount brush bundles (44)
20	28.0084.001E	NOSE COMPL 30 DEGREE	
21	27.0479.001	EYELET	
22	28.0034.001E	NOSE COMPL 42 DEGREE	
23	27.0479.001	EYELET	
24	900.0495	SCREW	
25	28.0037.001	COVER COMPL.	
26	26A00073	EYELET	
27	28.0096.001B	MOTOR COMPL.	
28	900.0075	SCREW	
29	27.0727	GROMMET	
30	900.4061	BEARING	
31	28.0010.001	ROTOR	
34	900.4064	BEARING	
35	900.9014	CIRCLIP	
36	900.9017	CIRCLIP	
37	900.9314	KEY	
38	900.6160	EYELET	
39	27.0708.001	WINDING DISC COMPL.	
40	28.0093	MAGNET RING INCL. BALL BEARING	
41	900.4064	BEARING	
42	27.0108	SPACER	

