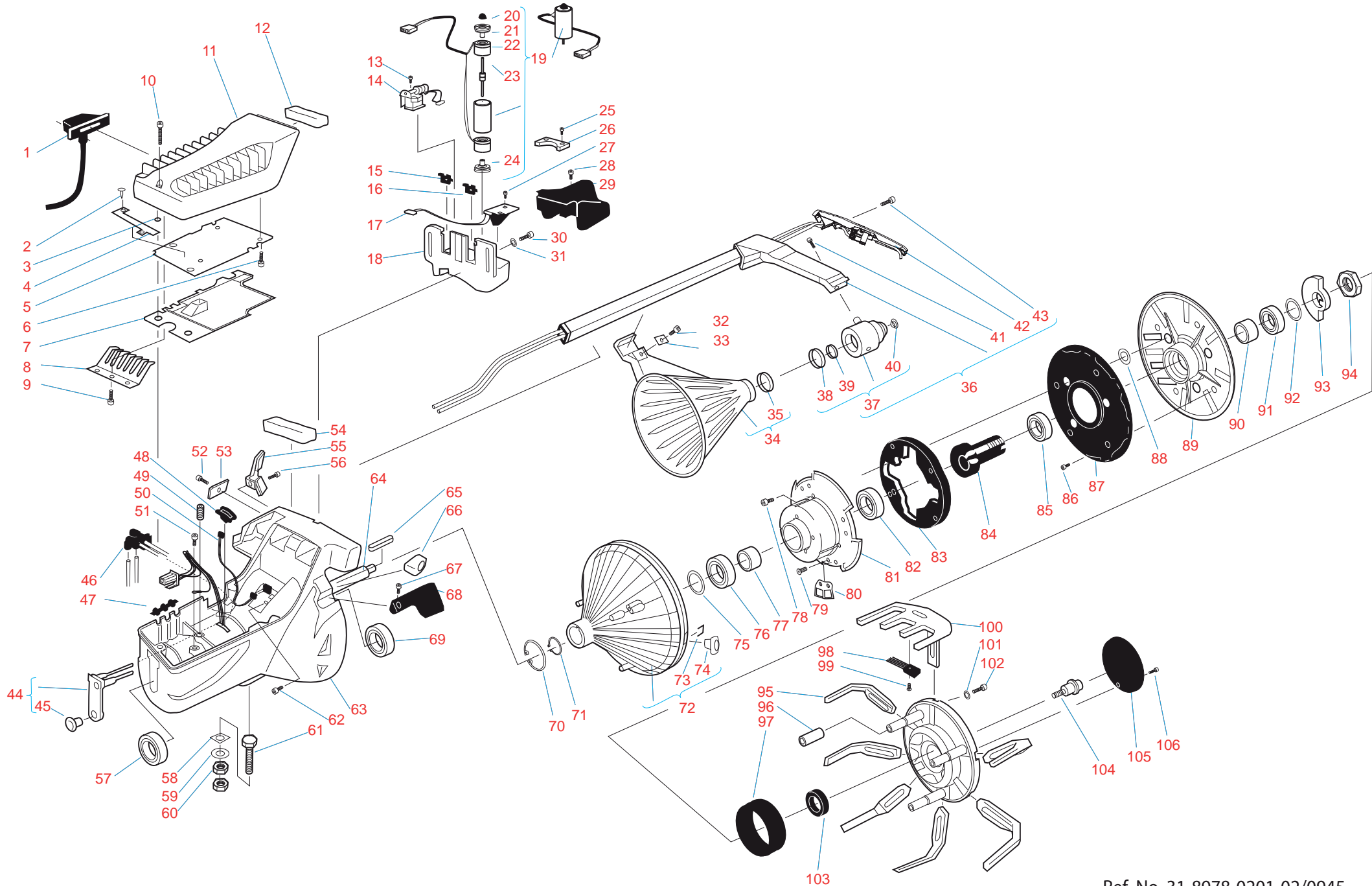



# 2231 X2 - Exploded view



PAGE 1 (2)	Spare parts list for Iro IWF 2231F.24.X.	REF. NO. 31-8978-0201- 02/0945	
---------------	--	--------------------------------------	---

POS	PART NO	DESCRIPTION	REMARKS
1	27.0676.1200	CABLE 1,2 m	
2	900.9390	PLASTIC PLUG	
3	900.9355	O-RING	
4	31.1290	GAP PAD	
5	31.9130.000	CIRCUIT BOARD	
6	900.0117	SCREW	
7	31.1291	SAFETY COVER	
8	31.1253	RADIATOR SHEET	
9	900.0117	SCREW	
10	900.0447	SCREW	
11	31.1256.001M	CIRCUIT BOARD COVER COMPL.	
12	31.1293	SEALING	
13	900.0087	SCREW	
14	31.1236	RESERVE SENSOR	
15	31.1011	SEAL (for magnet cable)	
16	31.1010	SEAL (for band cable)	
17	31.1068	SENSOR CIRCUIT	
18	31.1058	STOPPER HOUSING	
19	31.0964.005	STOPPER MAGNET COMPL.	
20	31.1096	COVER	
21	31.1034.001	FRONT	
22	31.1038.001	COILS	
23	31.1037.002	PLUNGER	
24	31.1034.001	FRONT	
25	900.0075	SCREW	
26	31.1022	MAGNET HOLDER	
27	900.0087	SCREW	
28	900.0117	SCREW	
29	31.1046	COVER	
30	900.0260	SCREW	
31	900.2091	WASHER	
32	900.0114	SCREW	
33	31.1220	CLAMP BALLOON CONE	
34	31.1221	BALLOON CONE	
35	900.6144	EYELET	
36	31.1223.003	PFT BAR COMPL.	
37	31.1218.002	NOZZLE COMPL.	
38	900.6144	EYELET	
39	31.1198	EYELET NOZZLE INSERT	
40	31.1199	EYELET NOZZLE OUTLET	
41	900.0081	SCREW	
42	31.1209.001	ARM COVER COMPL.	
43	900.0117	SCREW	
44	31.1210.001	VALVE COMPL.	
45	900.6101	EYELET	
46	31.1307	AIR CONNECTOR	
47	31.1294	PLUG MOTOR HOUSING	
48	31.1093	GROMMET	
49	900.0532	SCREW	
50	31.1312	HALL SENSOR	
51	900.0117	SCREW	
52	900.0114	SCREW	
53	31.1185	CLAMP PFT BAR	
54	31.1293	SEAL	
55	31.0218	MAGNET HOLDER COMPL.	
56	900.0218.000	SCREW	
57	900.4061	BEARING	
58	31.0265	SQUARE WASHER	
59	900.2072	WASHER	
60	900.1043	NUT	
61	900.0555	SCREW	



POS	PART NO	DESCRIPTION	REMARKS
62	900.0179	SCREW	
63	31.1308.0017	MOTOR COMPL.	
64	31.1295	ROTOR	
65	900.9314	KEY	
66	900.6165	EYELET	
67	900.0218	SCREW	
68	31.1262	YARN GUIDE	
69	900.4064	BEARING	
70	900.9014	CIRCLIP	
71	900.9017	CIRCLIP	
72	31.1285	WINDING DISC COMPL.	
73	25.0081	EYELET HOLDER	
74	25.0078	EYELET	
75	900.2071	WASHER	
76	900.4063	BEARING	
77	31.1257	SPACER	
78	900.0218	SCREW	
79	900.0572	SCREW	
80	31.0219	MAGNET HOLDER COMPL.	
81	31.1273	MAGNET RING COMPL.	
82	900.4063	BEARING	
83	31.1289	SEAL MAGNET RING	
84	31.1298	INCLINED HUB	
85	900.4063	BEARING	
86	900.0426	SCREW	
87	31.1276	FILLING DISC	
88	31.0904	GROMMET	
89	31.1280	OSCILLATING DISC COMPL.	
90	31.1257	SPACER	
91	900.4063	BEARING	
92	31.1315	WASHER	
93	31.1282	COUNTERWEIGHT	
94	20.0042	NUT	
95	31.0893	FINGER	
96	31.0463	SLEEVES	
97	31.1300	SEAL SPOOLBODY	
98	31.1174	BRUSH	
99	900.0506	SCREW	
100	31.0402.001	MAGNET FINGER COMPL.	
101	900.2091	WASHER	
102	900.0218	SCREW	
103	25.0459	WASHER COMPL.	
104	31.0555	SCREW	
105	31.1281	FRONT COVER	
106	900.0117	SCREW	