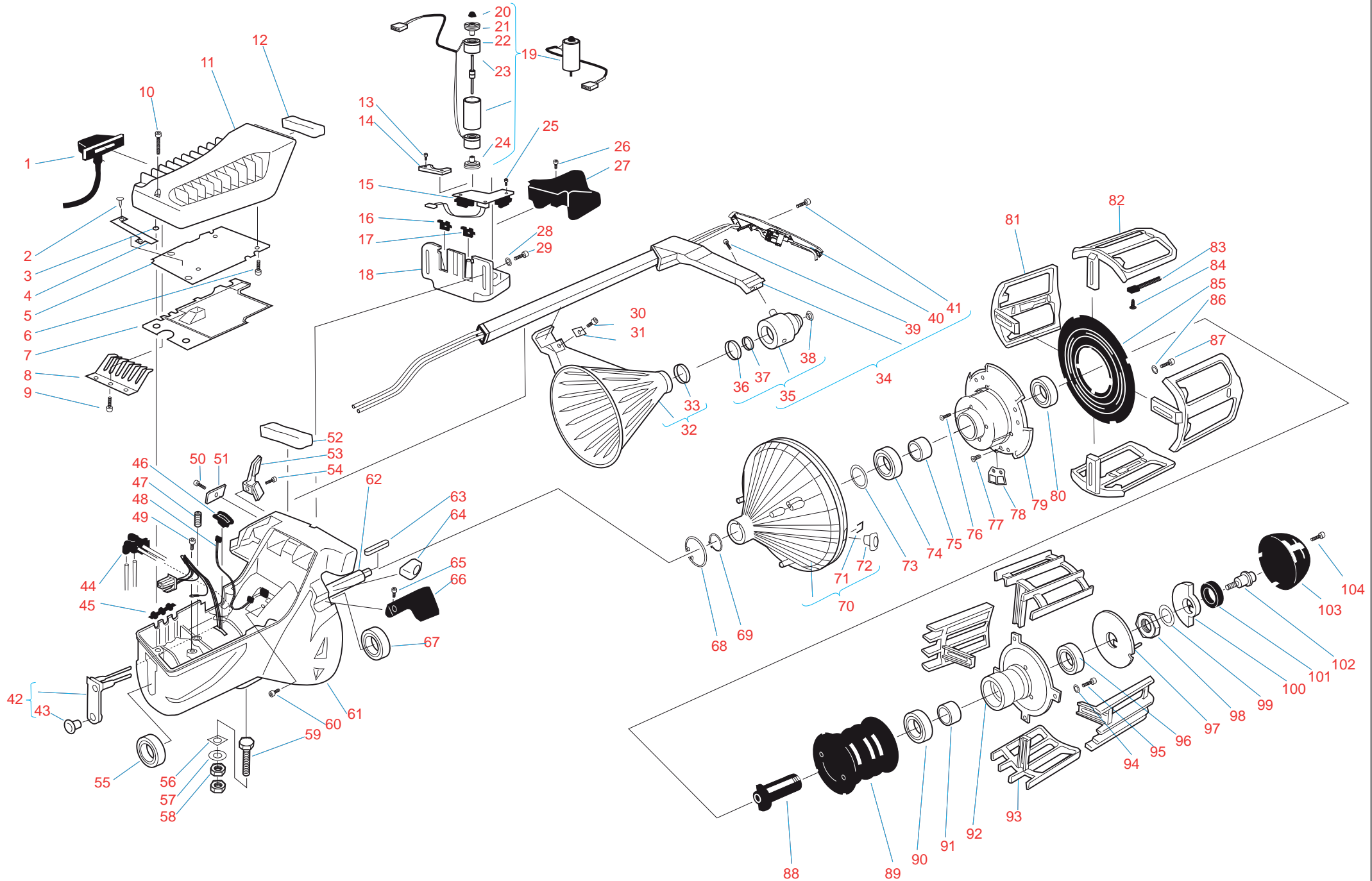



# 1131 X2 - Exploded view




PAGE 1 (2)	Spare parts list for Iro IWF 1131F.24.X.	REF. NO. 31-8979-0201- 02/0945	
---------------	--	--------------------------------------	--

POS	PART NO	DESCRIPTION	REMARKS
1	27.0676.1200	CABLE 1,2 m	
2	900.9390	PLASTIC PLUG	
3	900.9355	O-RING	
4	31.1290	GAP PAD	
5	31.9130.000	CIRCUIT BOARD	
6	900.0117	SCREW	
7	31.1291	SAFETY COVER	
8	31.1253	RADIATOR SHEET	
9	900.0117	SCREW	
10	900.0447	SCREW	
11	31.1256.001M	CIRCUIT BOARD COVER COMPL.	
12	31.1293	SEALING	
13	900.0075	SCREW	
14	31.1022	MAGNET HOLDER	
15	31.1067	SENSOR CIRCUIT BOARD	
16	31.1011	SEAL (for magnet cable)	
17	31.1010	SEAL (for band cable)	
18	31.1042	MAGNET CHASSIS	
19	31.0964.005	MAGNET Compl.	
20	31.1096	COVER	
21	31.1034.001	FRONT	
22	31.1038.001	COILS	
23	31.1037.002	PLUNGER	
24	31.1034.001	FRONT	
25	900.0087	SCREW	
26	900.0117	SCREW	
27	31.1047	COVER COMPL.	
28	900.0260	SCREW	
29	900.2091	WASHER	
30	900.0114	SCREW	
31	31.1220	CLAMP BALLOON CONE	
32	31.1221	BALLOON CONE	
33	900.6144	EYELET	
34	31.1223.003	PFT BAR COMPL.	
35	31.1218.002	NOZZLE COMPL.	
36	900.6144	EYELET	
37	31.1198	EYELET NOZZLE INSERT	
38	31.1199	EYELET NOZZLE OUTLET	
39	900.0081	SCREW	
40	31.1209.001	ARM COVER COMPL.	
41	900.0117	SCREW	
42	31.1210.001	VALVE COMPL.	
43	900.6101	EYELET	
44	31.1307	AIR CONNECTOR	
45	31.1294	PLUG MOTOR HOUSING	
46	31.1093	GROMMET	
47	900.0532	SCREW	
48	31.1312	HALL SENSOR	
49	900.0117	SCREW	
50	900.0114	SCREW	
51	31.1185	CLAMP PFT BAR	
52	31.1293	SEAL	
53	31.0218	MAGNET HOLDER COMPL.	
54	900.0218.000	SCREW	
55	900.4061	BEARING	
56	31.0265	SQUARE WASHER	
57	900.2072	WASHER	
58	900.1043	NUT	
59	900.0555	SCREW	
60	900.0179	SCREW	
61	31.1309.0017	MOTOR COMPL.	
62	31.1296	ROTOR	
63	900.9314	KEY	
64	900.6165	EYELET	

IRO AB RESERVE THE RIGHT TO CHANGE THE CONTENTS WITHOUT PRIOR NOTIFICATION.

IRO AB HAT DAS RECHT, DEN INHALT OHNE VORHERIGE ANKÜNDIGUNG ZU ÄNDERN.

PAGE 2 (2)	Spare parts list for Iro IWF 1131F.24.X.	REF. NO. 31-8979-0201- 02/0945	
---------------	--	--------------------------------------	--

POS	PART NO	DESCRIPTION	REMARKS
65	900.0218	SCREW	
66	31.1262	YARN GUIDE	
67	900.4064	BEARING	
68	900.9014	CIRCLIP	
69	900.9017	CIRCLIP	
70	31.0737.002	WINDING DISC COMPL.	
71	25.0081	EYELET HOLDER	
72	25.0078	EYELET	
73	900.2071	WASHER	
74	900.4063	BEARING	
75	31.1257	SPACER	
76	900.0153	SCREW	
77	900.0572	SCREW	
78	31.0219	MAGNET HOLDER COMPL.	
79	31.1273	MAGNET RING COMPL.	
80	900.4063	BEARING	
81	31.0779.001	FIXED FINGER	
82	31.1040	MAGNET FINGER COMPL.	
83	31.1174	BRUSH	
84	900.0506	SCREW	
85	31.1259.001	FINGER DISC	
86	900.2091	WASHER	
87	900.0260	SCREW	
88	31.0573	INCLINED HUB	
89	31.1303	BELLOW	
90	900.4063	BEARING	
91	31.0574	SPACER	
92	31.1304	FRONT SPOOL BODY HUB COMPL.	
93	31.0835	TUMBLING FINGER	
94	900.2091	WASHER	
95	900.0218	SCREW	
96	900.4063	BEARING	
97	31.1305	ADJUSTING WASHER	
98	20.0042	NUT	
99	900.2149	WASHER	
100	31.1320	COUNTERWIEGHT	
101	25.0459	SPRING WASHER	
102	31.0555	SCREW	
103	31.857	COVER	
104	900.0117	SCREW	

IRO AB RESERVE THE RIGHT TO CHANGE THE CONTENTS WITHOUT PRIOR NOTIFICATION.

IRO AB HAT DAS RECHT, DEN INHALT OHNE VORHERIGE ANKÜNDIGUNG ZU ÄNDERN.