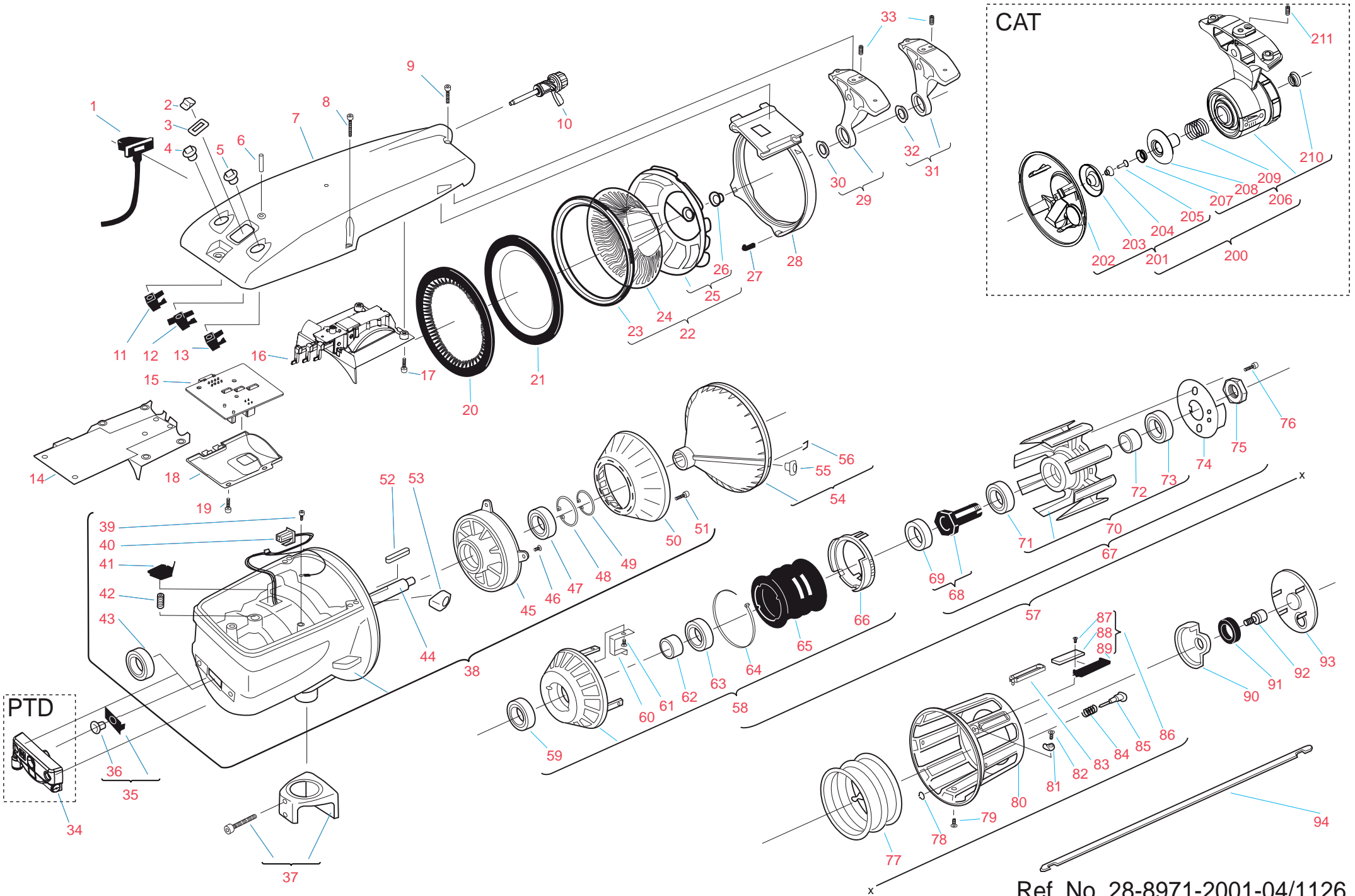




Stella G2 290 - Exploded view



	PAGE 1 (3)	Spare parts list for Stella G2 290 1328/1128.2X.XXX	REF. NO. 28-8971-2001-04/ 1126
---	---------------	--	-----------------------------------

Parts specific only to certain models are identified with □ in the centre column.
Stella G2 Optical = O, Stella G2 Mechanical = M.
Unmarked positions are common to all feeder models.

POS	PART NO	DESCRIPTION	O	M	REMARKS
1	27.0676.1750	CABLE COMPL.			
2	43A01634	ON/OFF SWITCH			
3	43A01633	ON/OFF FRAM			
4	43A01630	S/Z SWITCH			
5	43A01665	MAX SPEED SWITCH		□	
6	28.0041	LIGHT GUIDE			
7	28.0026.001L	TOP COVER COMPL.	□		Without circuit board and sensor
7	28.0026.002L	TOP COVER COMPL.		□	Without circuit board and sensor
8	900.0075	SCREW			
9	900.0097	SCREW			
10	28.0029	QUICK RELEASE COMPL.			
11	52Z00401	S/Z MAGNET HOLDER			
12	52Z00400	ON/OFF MAGNET HOLDER			
13	52Z00401	MAX SPEED MAGNET HOLDER		□	
14	28.0025.002	CIRCUIT BOARD COMPL.	□		
15	28.9004.0001	MOTOR CIRCUIT BOARD		□	
16	28.0054.001	SENSOR COMPL.		□	Plasma Coated 28.0054.002
17	900.0117	SCREW			
18	28.0038	PROTECTION COVER		□	
19	900.0117	SCREW		□	
20	27.0492.005	BRUSH SOFT, natural, straight.			
20	27.0492.105	BRUSH SOFT, natural, z-rotation.			
20	27.0492.205	BRUSH SOFT, natural, s-rotation.			
20	27.0492.002	BRUSH MEDIUM, natural, straight.			
20	27.0492.102	BRUSH MEDIUM, natural, z-rotation.			
20	27.0492.202	BRUSH MEDIUM, natural, s-rotation.			
20	27.0492.003	BRUSH STIFF, natural, straight.			
20	27.0492.103	BRUSH STIFF, natural, z-rotation.			
20	27.0492.203	BRUSH STIFF, natural, s-rotation.			
20	27.0492.001	BRUSH SOFT, synthetic, straight.			
20	27.0492.101	BRUSH SOFT, synthetic, z-rotation.			
20	27.0492.201	BRUSH SOFT, synthetic, s-rotation.			
20	27.0492.006	BRUSH MEDIUM, synthetic, straight.			
20	27.0492.106	BRUSH MEDIUM, synthetic, z-rotation.			
20	27.0492.206	BRUSH MEDIUM, synthetic, s-rotation.			
20	27.0492.004	BRUSH STIFF, synthetic, straight.			
20	27.0492.104	BRUSH STIFF, synthetic, z-rotation.			
20	27.0492.204	BRUSH STIFF, synthetic, s-rotation.			
21	27.0524.001	E-FLEX 30° SOFT (Rapier)			Black colour (Strip only = 27.0438.001)
21	27.0573.102	E-FLEX 30° MEDIUM (Rapier)			Blue colour (Strip only = 27.0438.002)
21	27.0585.002	E-FLEX 30° STIFF (Rapier)			Red colour (Strip only = 27.0438.002)
21	27.0585.103	E-FLEX 30° EXTRA STIFF (Rapier)			Grey colour (Strip only = 27.0438.003)
21	27.0596.001	E-FLEX 42° SOFT (Projectile)			Black colour (Strip only = 27.0541.001)
21	27.0596.102	E-FLEX 42° MEDIUM (Projectile)			Blue colour (Strip only = 27.0541.002)
21	27.0734.002	E-FLEX 42° STIFF (Projectile)			Red colour (Strip only = 27.0541.002)
21	27.0734.103	E-FLEX 42° EXTRA STIFF (Projectile)			Grey colour (Strip only = 27.0541.003)
22	54T00730	LAMELLA BRAKE, soft Z-rotation, Compl.			
22	54T00731	LAMELLA BRAKE, medium Z-rotation, Compl.			
22	54T00732	LAMELLA BRAKE, stiff Z-rotation, Compl.			
23	43C00089	LOCKING RING			
24	35E00222	LAMELLA SOFT			
24	35E00221	LAMELLA MEDIUM			
24	35E00220	LAMELLA STIFF			
25	43C00090	BASKET			
26	27.0479.001	EYELET			
27	27.0490	SNAP-IN CAGE			
28	28.0006	BRUSH RING HOLDER			
29	28.0033.001L	NOSE COMPL 30 DEGREE			
30	27.0479.001	EYELET			

	PAGE 2 (3)	Spare parts list for Stella G2 290 1328/1128.2X.XXX	REF. NO. 28-8971-2001-04/ 1126
---	---------------	--	-----------------------------------

Parts specific only to certain models are identified with □ in the centre column.
Stella G2 Optical = O, Stella G2 Mechanical = M.
Unmarked positions are common to all feeder models.

POS	PART NO	DESCRIPTION	O	M	REMARKS
31	28.0034.001L	NOSE COMPL 40 DEGREE			
32	27.0479.001	EYELET			
33	900.0495	SCREEW			
34	28.0022.001	PNEUMATIC THREADING DEVICE			Option for customer
35	28.0037.001	COVER COMPL.			
36	26A00073	EYELET			
37	24.0462	MOUNT COMPL.			
38	28.0023.000K	MOTOR COMPL.			
39	900.0075	SCREW			
40	27.0768.004	STATOR			
41	27.0727	PLUGG			
42	900.0532	SCREW			
43	900.4061	BEARING			
44	28.0010	ROTOR			
45	28.0009	MOTOR FLANGE			
46	900.0075	SCREW			
47	900.4064	BEARING			
48	900.9014	CIRCLIP			
49	900.9017	CIRCLIP			
50	27.0166.003	MAGNET RING			
51	900.0075	SCREW			
52	900.9314	KEY			
53	900.6160	EYELET			
54	27.0708.002	WINDING DISC COMPL.			
55	25.0078	EYELET			
56	25.0081.001	EYELET HOLDER			
57	27.0714.401	SPOOLBODY ASSY.	□		
57	27.0714.301	SPOOLBODY ASSY.		□	
58	27.0157	MAGNET RING COMPL.			
59	900.4064	BEARING			
60	31.0641	GROUND STRIP			
61	27.0208	THREAD INSERT			
62	27.0108	SPACER			
63	900.4064	BEARING			
64	900.5197	STRAP			
65	27.0077	BELLOWS			
66	27.0070	BELLOWS HOLDER			
67	27.0232.003	TUMBLING CYLINDER COMPL.			
68	27.0429.002	INCLINED HUB COMPL.			
69	27.0393	WASHER			
70	27.0330.000	TUMBLING CYLINDER ASSY.			
71	900.4063	BEARING			
72	120.0024	SPACER			
73	900.4063	BEARING			
74	27.0224	S/Z WASHER			
75	120.0042	NUT			
76	900.0153	SCREW			
77	27.0078	BELLOWS			
78	900.9055	CLIP			
79	900.0327.001	SCREW			
80	27.0361.010	SPOOLBODY			
81	27.0219.001	YARN BREAK MIRROR	□		
82	900.0327.001	SCREW	□		
83	27.0513	INSERT		□	
84	27.0163	SPRING			
85	28.0007	S/Z BUTTON			
86	28.0065	MIRROR KIT	□		
87	900.0327.001	SCREW	□		
88	28.0013	MIRROR	□		

