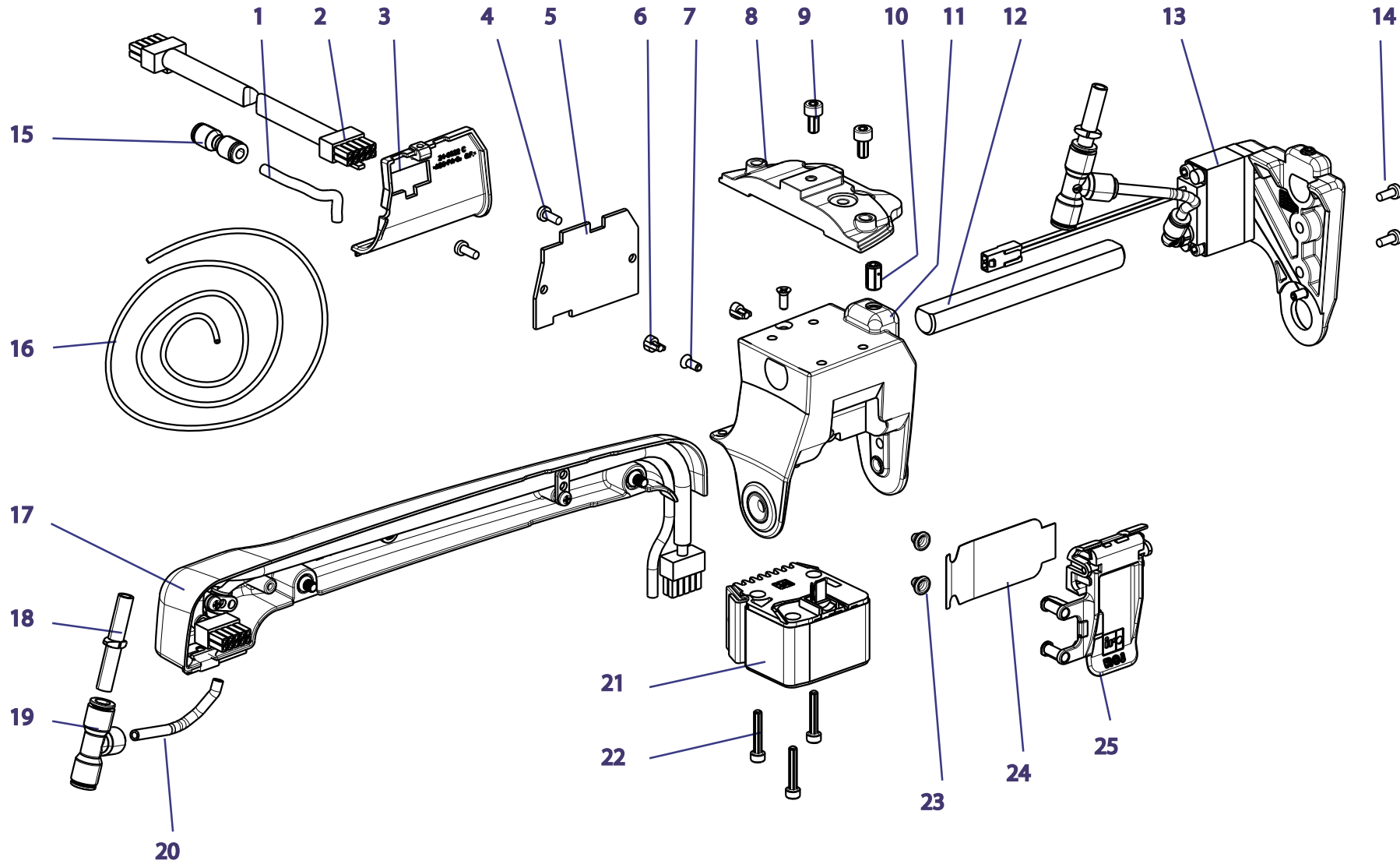
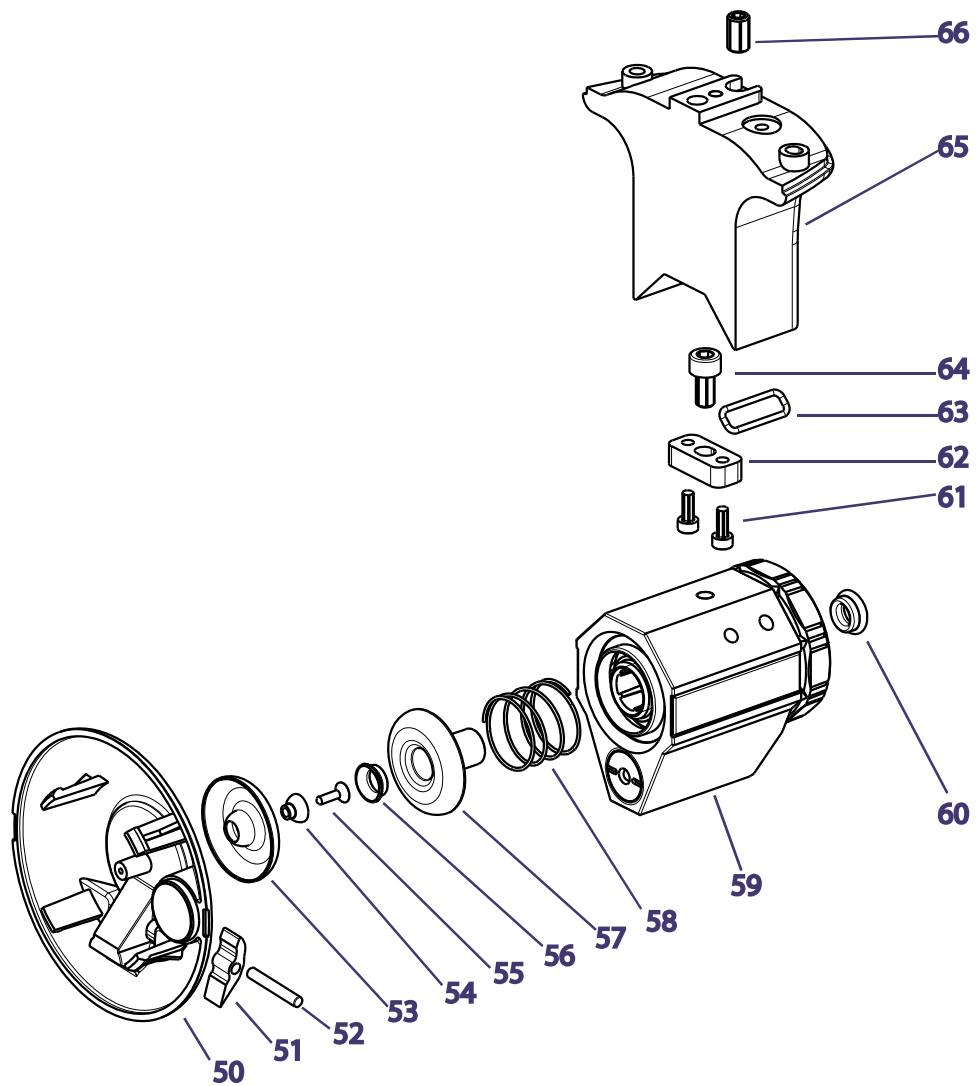


# Accessories - TEC - Chrono X3 & XD X3



## Accessories - CAT - Chrono X3 & XD X3





	PAGE 2 (2)	Spare parts list for Accessories X3	REF. NO. 24-897L-2001- 01/1137	
---	---------------	-------------------------------------	--------------------------------------	---

CAT	Controlled Accelerate Tensioner		
POS	PART NO	DESCRIPTION	REMARKS
	24.0651.001L	CAT COMPL. Standar version	
	24.0651.011L	CAT COMPL. Polished eyelets	
	24.0651.101L	CAT COMPL. Plasma coated version	
50	27.0328	DISC COMPL.	
50	27.0328.002	DISC COMPL. PLASMA COATED	
51	107.5216	ARM	
52	900.3079	CYLINDRIC PIN	
53	107.5214	DISC	
53	107.5386	DISC PLASMA COATED	
54	107.5215	WASHER	
55	900.0424	SCREW	
56	107.5285	EYELET	
56	107.5285.001	EYELET POLISHED	
57	107.5284.002	DISC COMPLETE	
57	107.5284.012	DISC COMPLETE PLASMA COATED	
58	107.5192.001	SPRING MEDIUM	
58	107.5192.002	SPRING STIFF	
58	107.5192.004	SPRING SOFT	
59	107.5268.010L	CAT HOUSING COMPLETE	
59	107.5268.110L	CAT HOUSING COMP. PLASMA COAT	
60	900.6101	EYELET	
60	900.6101.001	EYELET POLISHED	
61	900.0163	SCREW	
62	24.0650	COVER CAT	
63	900.9306	O-RING	
64	900.0103	SCREW	
65	24.0645	CAT NOSE	
66	900.0495	STOP SCREW	