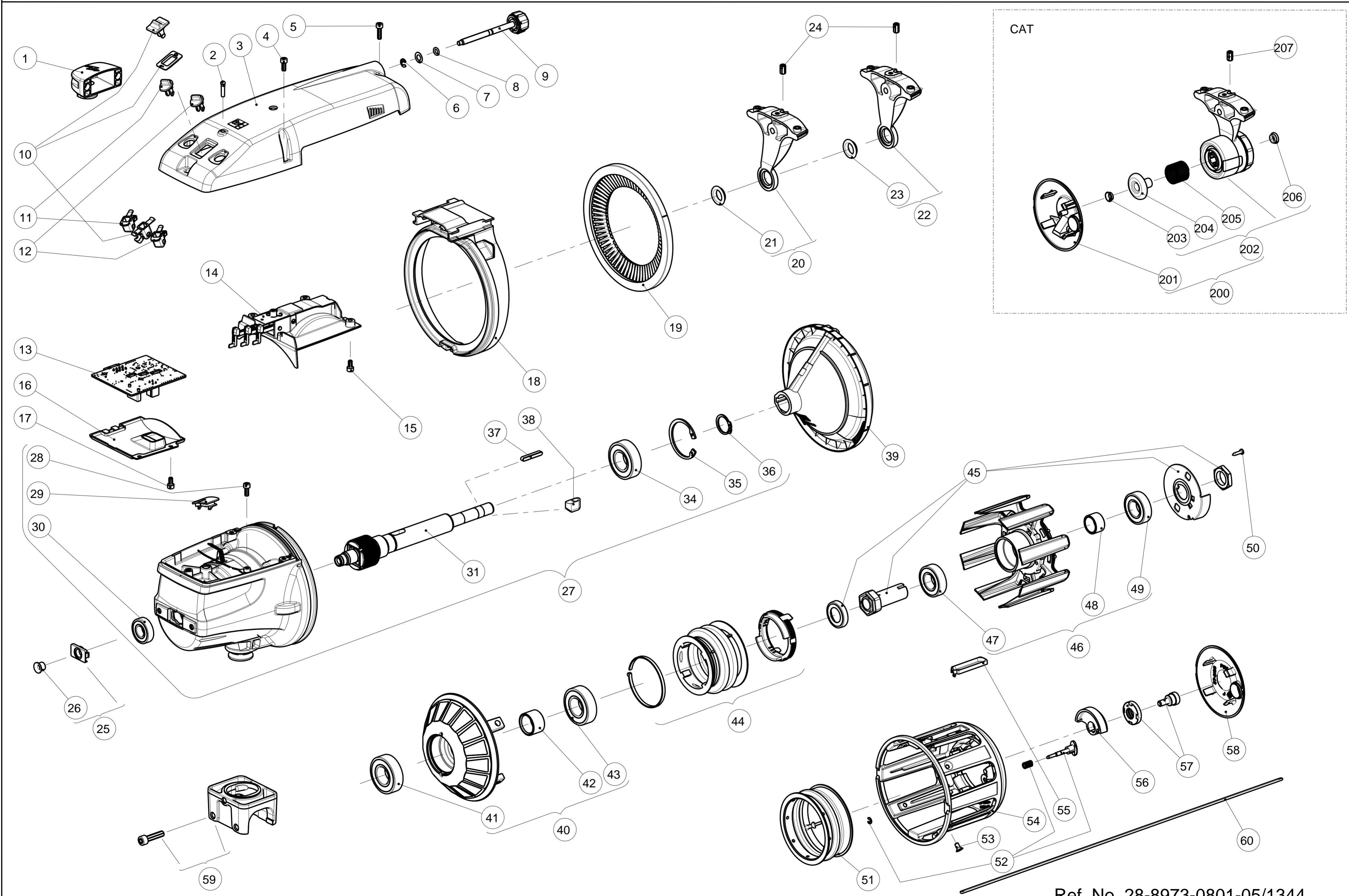


Star G2 190 - Exploded view





| POS | PART NO | DESCRIPTION | REMARKS |
|-----|---------------|--------------------------------------|--|
| 1 | 28.0032.1750 | CABLE COMPL. | For Galaxy control box 20-pin connector |
| 1 | 28.0032.5000 | CABLE COMPL. | For Galaxy control box 20-pin connector cable length 5 m |
| 1 | 05R01078 | CABLE COMPL. | For Laser control box 12-pin connector |
| 1 | 05R01078.5100 | CABLE COMPL. | For Laser control box 12-pin connector cable length 5 m |
| 2 | 28.0041 | LIGHT GUIDE | |
| 3 | 28.0026.003E | TOP COVER COMPL. | Without motor circuit board and sensor |
| 4 | 900.0075 | SCREW | |
| 5 | 900.0097 | SCREW | |
| 6 | 900.9058 | CIRCLIP | |
| 7 | 900.2170 | WASHER | |
| 8 | 23A00030 | O-RING | |
| 9 | 43A01638 | KNOB | |
| 10 | 28.0086 | ON/OFF SWITCH ASSEMBLY KIT | |
| 11 | 28.0088 | S/Z SWITCH ASSEMBLY KIT | |
| 12 | 28.0087 | SPEED SWITCH ASSEMBLY KIT | |
| 13 | 28.9005.0001 | MOTOR CIRCUIT BOARD | |
| 14 | 28.0054.001 | SENSOR COMPL. | |
| 15 | 900.0117 | SCREW | |
| 16 | 28.0038 | PROTECTION COVER | |
| 17 | 900.0117 | SCREW | |
| 18 | 28.0061 | BRUSH HOLDER | |
| 19 | 820.0360.001 | BRUSH SOFT, natural, straight. | |
| 19 | 820.0009.001 | BRUSH SOFT, natural, z-rotation. | |
| 19 | 820.0155.001 | BRUSH SOFT, natural, s-rotation. | |
| 19 | 820.0360.002 | BRUSH MEDIUM, natural, straight. | |
| 19 | 820.0009.002 | BRUSH MEDIUM, natural, z-rotation. | |
| 19 | 820.0155.002 | BRUSH MEDIUM, natural, s-rotation. | |
| 19 | 820.0360.003 | BRUSH STIFF, natural, straight. | |
| 19 | 820.0009.003 | BRUSH STIFF, natural, z-rotation. | |
| 19 | 820.0155.003 | BRUSH STIFF, natural, s-rotation. | |
| 19 | 820.0360.013 | BRUSH SOFT, synthetic, straight. | |
| 19 | 820.0009.013 | BRUSH SOFT, synthetic, z-rotation. | |
| 19 | 820.0155.013 | BRUSH SOFT, synthetic, s-rotation. | |
| 19 | 820.0360.009 | BRUSH MEDIUM, synthetic, straight. | |
| 19 | 820.0009.009 | BRUSH MEDIUM, synthetic, z-rotation. | |
| 19 | 820.0155.009 | BRUSH MEDIUM, synthetic, s-rotation. | |
| 19 | 820.0360.004 | BRUSH STIFF, synthetic, straight. | |
| 19 | 820.0009.004 | BRUSH STIFF, synthetic, z-rotation. | |
| 19 | 820.0155.004 | BRUSH STIFF, synthetic, s-rotation. | |
| 19 | 820.0360.006 | BRUSH SOFT, natural, straight. | Special version less amount brush bundles (44) |
| 19 | 820.0009.006 | BRUSH SOFT, natural, z-rotation. | Special version less amount brush bundles (44) |
| 20 | 28.0033.001L | NOSE COMPL 30 DEGREE | |
| 21 | 27.0479.001 | EYELET | |
| 22 | 28.0034.001L | NOSE COMPL 42 DEGREE | |
| 23 | 27.0479.001 | EYELET | |
| 24 | 900.0495 | SCREW | |
| 25 | 28.0037.001 | COVER COMPL. | |
| 26 | 26A00073 | EYELET | |
| 27 | 28.0023.001B | MOTOR COMPL. | |
| 28 | 900.0075 | SCREW | |
| 29 | 27.0727 | GROMMET | |
| 30 | 900.4061 | BEARING | |
| 31 | 28.0010.001 | ROTOR | |
| 34 | 900.4064 | BEARING | |
| 35 | 900.9014 | CIRCLIP | |
| 36 | 900.9017 | CIRCLIP | |
| 37 | 900.9314 | KEY | |
| 38 | 900.6160 | EYELET | |
| 39 | 27.0708.001 | WINDING DISC COMPL. | |
| 40 | 28.0093 | MAGNET RING INCL. BALL BEARING | |
| 41 | 900.4064 | BEARING | |
| 42 | 27.0108 | SPACER | |



| POS | PART NO | DESCRIPTION | REMARKS |
|-----|--------------|----------------------------------|---------|
| 43 | 900.4064 | BEARING | |
| 44 | 28.0090 | BELLOWS COMPLETE | |
| 45 | 28.0089.004 | INCLINED HUB ASSEMBLY KIT | |
| 46 | 27.0330.000 | TUMBLING CYLINDER ASSY. | |
| 47 | 900.4063 | BEARING | |
| 48 | 120.0024 | SPACER | |
| 49 | 900.4063 | BEARING | |
| 50 | 900.0153 | SCREW | |
| 51 | 27.0078 | BELLOWS | |
| 52 | 28.0091 | S/Z BUTTON ASSEMBLY KIT | |
| 53 | 900.0327.001 | SCREW | |
| 54 | 27.0361.010 | SPOOLBODY | |
| 55 | 27.0513 | INSERT | |
| 56 | 27.0158 | BALANCE WEIGHT | |
| 57 | 28.0092 | WASHER PACKAGE AND SCREW STAR G2 | |
| 58 | 27.0160 | COVER | |
| 59 | 20.0055.000E | MOUNT COMPL. | |
| 60 | 24.0174 | TREADING NEEDLE | |
| | | | |
| | | | |
| | | | |
| | | | |
| 200 | 28.0044.000L | CAT KIT COMPL. WITH CONE | |
| 201 | 27.0328.100 | CAT CONE COMPL. | |
| 202 | 28.0036.000L | CAT COMPL. | |
| 203 | 807.5285 | EYELET | |
| 204 | 107.5284.002 | TENSIONER DISC | |
| 205 | 107.5192.001 | SPRING MEDIUM | |
| 205 | 107.5192.004 | SPRING SOFT(MARKED GREEN) | |
| 205 | 107.5192.002 | SPRING STIFF(MARKED ORANGE) | |
| 206 | 900.6101 | EYELET | |
| 207 | 900.0495 | SCREW | |
| | | | |
| | | | |
| | | | |
| | | | |
| | | | |
| | | | |
| | | | |
| | | | |
| | | | |
| | | | |
| | | | |
| | | | |
| | | | |
| | | | |
| | | | |
| | | | |
| | | | |